



# DTK-PVP Series

## Fixed Camera Surge Protector General Product Specifications

DITEK's PVP27B protects all the sensitive feeds to fixed cameras, not just the video cable. Simple to install, the PVP27B series protects 24 Volt power conductors and video conductors in one compact package. With the lowest video let through voltage (and best surge protection) on the market, the PVP27B provides ideal surge protection for today's sensitive, high-quality fixed cameras. Models are available for Coax and Twisted Pair video connections.



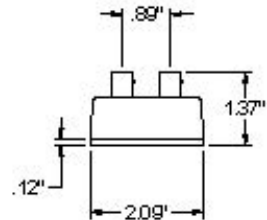
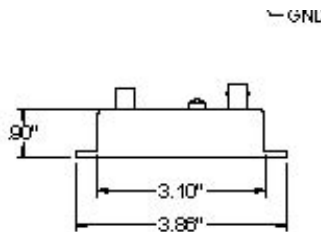
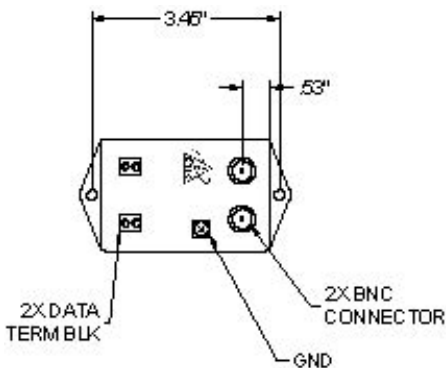
DTK-PVP27B

DTK-PVP27BTPV

### DTK-PVP27B    DTK-PVP27BTPV

#### Product Features

- Protects power and video conductors in one package
- 5 Amp, 24V circuit protects power feeds to camera, heater, blower, defroster
- Multi-stage, SAD technology, hybrid design provides the best possible protection
- Single point ground improves protection and speeds installation
- Protect standard Coax or Twisted Pair video connections
- Ten Year Limited Warranty





# DTK-PVP Series

## Fixed Camera Surge Protector General Product Specifications

### Specifications:

	DTK-PVP27B	DTK-PVP27TPV
<b>Application:</b>	Coax Connected Camera	Twisted Pair Video Camera
<b>Connection Method (Video):</b>	BNC	#22 - #14 AWG Screw Terminals
<b>Connection Method (Power/Data):</b>	#22 - #14 AWG Screw Terminals	
<b>Video Band Pass:</b>	0Hz - 10MHz	0Hz - 2GHz
<b>Impedance:</b>	75 $\Omega$	n/a
<b>Modes Protected (Video):</b>	Center - Shield Shield - G	Positive - G Negative - G
<b>Modes Protected (Power):</b>	All Lines to Ground	
<b>Service Voltage (Video):</b>	2V peak - peak	
<b>Service Voltage (Power):</b>	24V AC/DC	
<b>Clamping (Video):</b>	2.8VDC	6.8VDC
<b>Clamping (Power):</b>	33VAC / 47VDC	
<b>Surge Current (Video):</b>	Center - Shield 10kA (8/20 $\mu$ s) Shield - Ground 150A (10/100 $\mu$ s)	114A/pair (10/100 $\mu$ s)
<b>Surge Current (Power):</b>	2,000 Amps	
<b>Temperature Range:</b>	-40°F to 158°F (-40°C to 70°C)	
<b>Housing:</b>	ABS	
<b>Dimensions:</b>	3.86" x 2.09" x 1.37" (98mm x 53mm x 35mm)	
<b>Weight:</b>	2.56 ounces (73 grams)	

